

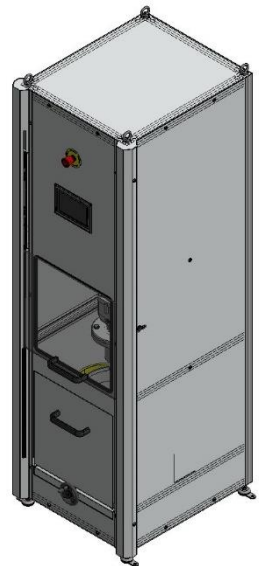
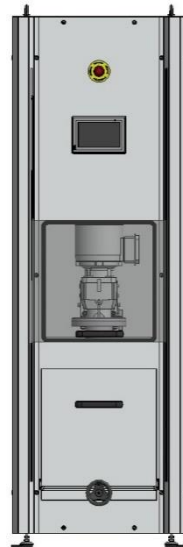
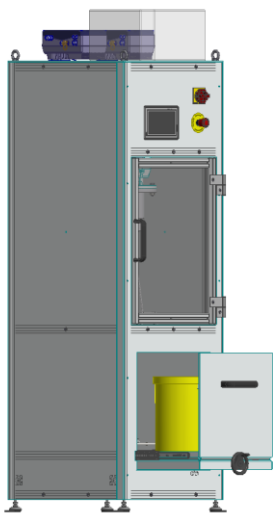
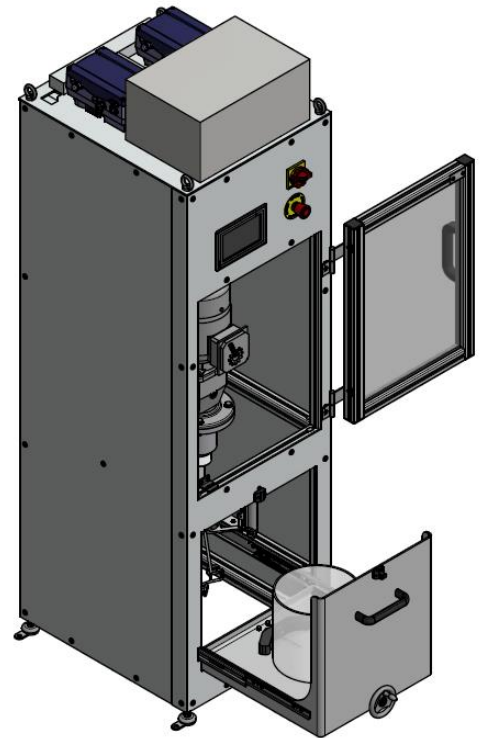
**VISCO JET** 

**Trendsetting agitator technology**

**VISCO JET<sup>®</sup> column agitator VJ411**

## VISCO JET® column agitator VJ411

- Ideally suited for agitation or tinting of facade paints and plasters in round or oval, single vessels from 5-30 litre
- VISCO JET® Pyramide impeller for effective agitation of products from low to high viscosities
- Simple change of mixing elements using the VISCO JET® fast release coupling
- Secure vessel fixing using a manual clamping device with safety switch
- Drip tray prevents contamination of any parts
- Complete covering of the agitator with an aluminium housing meets the highest security and safety requirements
- Working and maintenance access via secured door with window
- Digital control unit with agitator process programming via touch screen



## VISCO JET® VJ411

The semi-automatic column agitator for your production process

	VJ411
Article number	-
Drive	1,1 kW
Impeller	Pyramide
Column with electrical lift	✓
Position measuring system	✓
Vessel clamping device	Manual
Control unit	Kostal
Number of program options	10
Integration of master control	---
Safety housing	✓

Is there no suitable version for you?

Then give us a call or send us an e-mail, we look forward to configure a suitable agitator system together with you!

## VISCO JET® VJ411

Easy to use for optimal integration into your production process



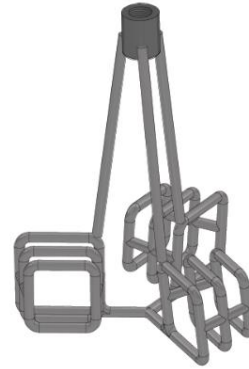
- Vessel is placed on vessel support of the drawer
- Fixation of the vessel via manual vessel clamping device
- Closing the drawer by the user
- Drip tray swivels to the side
- Selection of agitating program via touch screen
- Start of the agitating process
- Agitating process completed
- Opening the drawer by the user
- Drip tray swivels back
- Release of the vessel fixation by the user
- Remove the container

## VISCO JET® Pyramide -

We strike the right colour

After a very short time, the VISCO JET® Pyramide impeller, which is specially developed for this application, achieves the optimum tint and viscosity of your mixing medium during the agitating process.

This impeller can be used for tints and colours with viscosities up to 9.000 mPas.



## VISCO JET® is working for you around the world

### VISCO JET® Rührsysteme GmbH

Mittlere Greut 2  
79790 Küssaberg  
Germany

Phone: +49 7741 91291 0

[info@viscojet.com](mailto:info@viscojet.com)

[www.viscojet.com](http://www.viscojet.com)

### VISCO JET® GmbH

Bahnhofstraße 1  
CH-5322 Koblenz/AG  
Switzerland

Phone: +41 56 267 50 90

[info@viscojet.ch](mailto:info@viscojet.ch)

[www.viscojet.ch](http://www.viscojet.ch)

You can find your individual contact person on our website or give us a call!

